



350 Series Jog and Lever Input Devices

Jastram steering systems include some or all of our Input Devices combined with the appropriate control and hydraulic systems. Analog Input Devices can be used with either the Jastram Digital or Analog control systems.

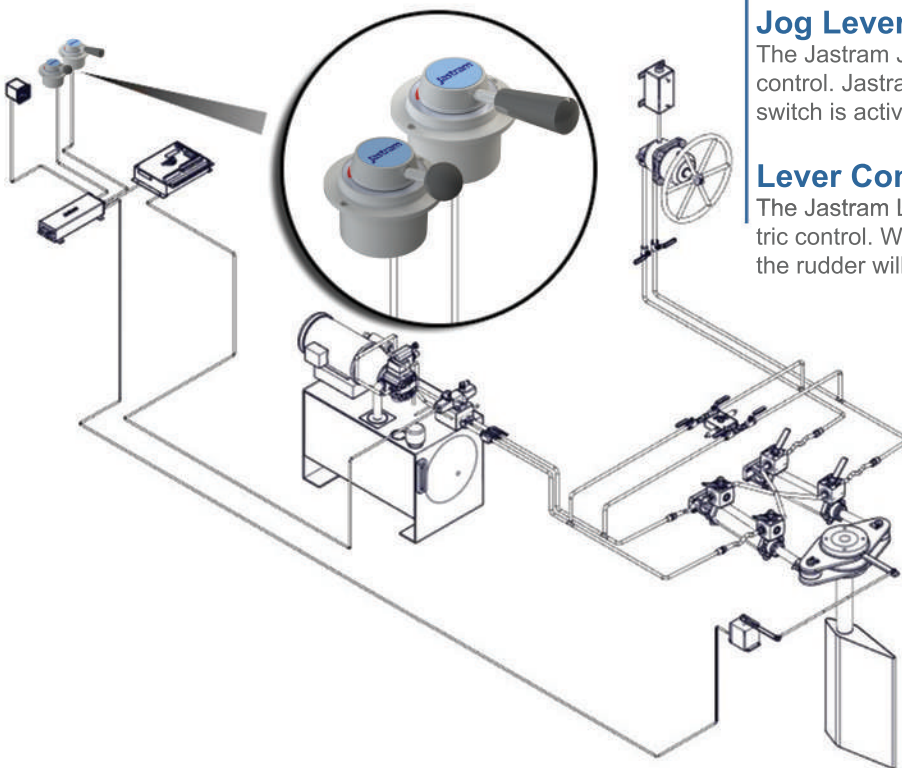
The current line of Jastram Jog and Lever Input Devices include:

Jog Levers (JO350)

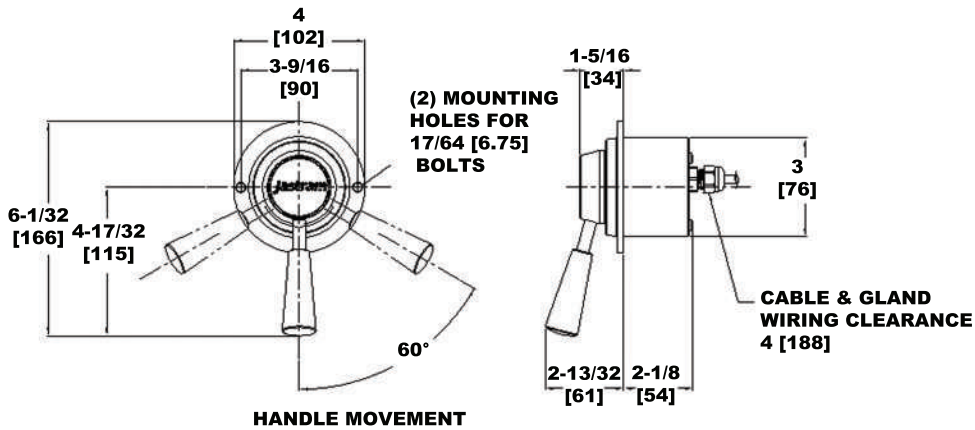
The Jastram Jog Lever provides non follow-up (time dependent) electric control. Jastram Jog Levers operate either completely on (as long as the switch is activated) or completely off (when it is released).

Lever Controllers (LC350 , LC350-H, LC350-D)

The Jastram Lever Controller provides full follow-up (way dependent) electric control. When the steering lever is moved to the desired rudder angle, the rudder will follow-up to the position requested by the lever.



Lever Controllers (LC350, LC350-H, LC350-K)



- Smoother and more accurate steering than jog steering
- Compatible with all Jastram Full Follow-up steering systems and most third party autopilots
- The rudder position is displayed by an indicator strip below the lever arm of the LC. A rudder angle indicator is not required.
- Three handle styles are available:
 - Lever
 - Helm Seat Crescent - H
 - Dial - D
- Each with two possible configurations:
 - LC350 - 1 produces one output signal
 - LC350 - 2 produces two output signals – the second signal control a second amplifier or an alarm circuit
- Waterproof and corrosion resistant housings, with an IP 66 rating
- Supplied with 5ft (1.5m) of cable

Cable Requirements: 18 AWG, 3 Conductor, Standard, Copper wire
Voltage: 12, 24 or 36 VDC

LC350 HANDLE OPTIONS



Lever - LC350



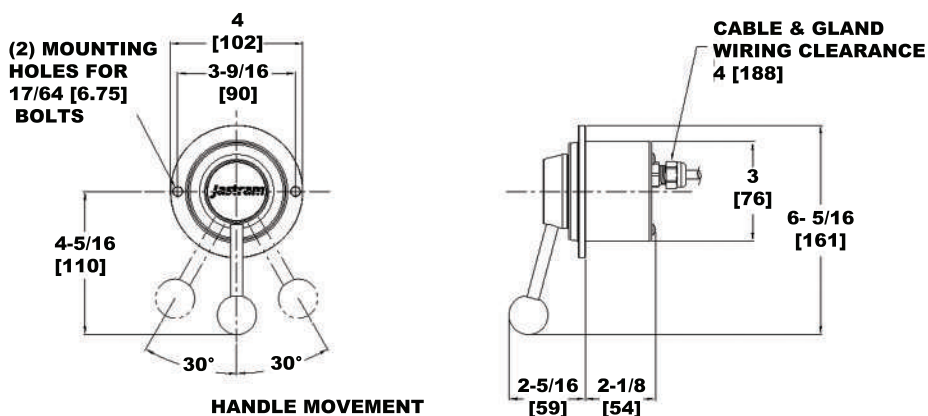
Helm Seat Crescent - LC350 - H



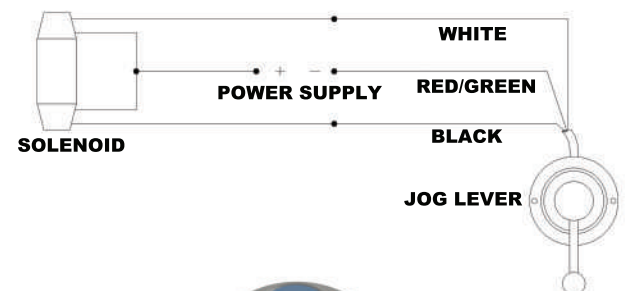
Dial - LC350 - D

Command Potentiometer
Resistance: 1kOhm
Linearity: +/- 1.5%

Jog Levers (JO350)



- Two possible 350 series Jog Lever configurations are available:
 - JO350 - 1 produces one output signal
 - JO350 - 2 produces two output signals – the second signal control a second amplifier or an alarm circuit
- The spring loaded jog switch returns to center when released (The rudder remains where positioned when the lever is released)
- Waterproof and corrosion resistant housings, with an IP 66 rating
- Supplied with 5ft (1.5m) of cable



Lever - JO350

Cable Requirements: 18 AWG, 3 Conductor, Standard, Copper wire
Voltage: 12, 24 or 36 VDC

Data is subject to change without notice* BRC01002